

January Meeting Announcement

Program : Forging Design, Metallurgy, and Benefits

Speakers: Fred DeHoff and Tom Ancich from Portland Forge

Location : Goeglein's on Maysville Road, Fort Wayne

Date/time: January 10th, 2001 5:30 pm Social
6:00 pm Dinner
7:00 pm Program

Cost : \$15.00 SAE Members \$10.00 Retirees
\$18.00 Non-member/or at the door
\$7.00 Student SAE members
\$8.00 Student non-members

Menu : Tossed Salad, Roasted Turkey Breast, Dressing, Whipped Potatoes & Gravy, Green Beans w/almonds, Texas Sheet Cake

Please make reservations and dinner payments with your company rep or Ken Knipstein at 219-426-8081 x206 by Jan 8th.

Hope you all had a pleasant holiday and got yourselves outside for a bit to enjoy the snow and cold weather. I suspect though that there are a few of you anti-winter types out there who prefer the climatic conditions associated to the topic for January's meeting: forging operations. Several representatives from Portland Forge will be the featured speakers.

Portland Forge, a leader in producing custom, impression die hot forgings, has been in business since 1909. Portland Forge supplies high quality carbon and alloy steel forged components to a multitude of industries. With an emphasis on quality, coupled with years of experience in engineering design, using the latest CAD/CAM and CMM technology, and tapping the skills of a dedicated production team, Portland Forge provides its customers with the high degree of excellence.

Beginning with a dependable sales team, Portland Forge is a full service forging facility. A skilled engineering staff, equipped with CAD/CAM technology and supplemented by in-house CNC die production capabilities, fulfills customer design requirements. A

Portland Forge con't page 2



International Truck Company
Truck Development and Technology Center
Fort Wayne, IN

"Delivering, Beyond the Expected"



Defiance Metal Products, Inc. is a full-service, precision fabricator of metal parts and assemblies

Utilizing the following processes :

- light, deep, or heavy stamping
- CNC laser or plasma cutting
- assembled by standard and robotic welding

Defiance Metal Products has over 400,000 sq. ft. of manufacturing space at two locations in Defiance, Ohio.

QS9000 Certified



ZOLLNER PISTONS

Leading the way in design and manufacture of pistons for diesel, automotive, and marine engine builders.



**Karl Schmidt Unisia
Zollner Pistons**

Fort Wayne, IN

Portland Forge

rigid quality assurance program uses process control tools for built-in forging integrity.

Portland Forge's twenty-six production units (upsetters and hammers) provide flexibility to produce metallurgically sound forgings on-time for specific customer needs. An on-site certified heat treating facility provides normalizing, tempering, quenching, and annealing capabilities for post-forging treatment to meet strength, hardness, and machinability specifications. Other available services are: metallurgical testing and certification, rust prevention coating, magnetic particle inspection, hardness testing, coining, straightening, and part number serialization.

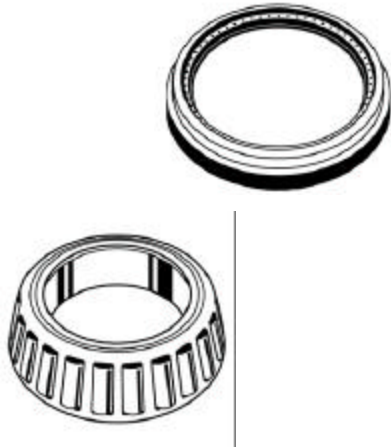
Portland Forge has highly trained specialists in die design, engineering, metallurgy and manufacturing. They work hand-in-hand to effectively design and produce the customer's forging. This skilled group is available to assist in developing quality forged parts and to achieve the maximum advantages of the forging process. Continuous communication between the customer and Portland Forge's specialists enables accurate production of forgings to meet the most exacting specifications.

Portland Forge has in-house die production capabilities which provides the customer with key advantages, including reduced lead times, more control over the design and production of forging dies , and quicker response time to customer part modifications. Portland Forge utilizes a computer aided die design and manufacturing system to produce quality dies at a cost-effective price.

Portland Forge also offer heat treatment. When the design calls for heat treatment, Portland Forge has the equipment and the experienced production and metallurgical staff to provide this vital service.

Representing Portland Forge will be Fred DeHoff and Tom Ancich. Mr. Dehoff is the Production Engineering Manager. He has over 34 years of experience in forging design and engineering. He's responsible for all forging quotations and designs. Mr. Ancich is the Vice President of Technology. He has over twenty years of experience in steel and forging industries. He's responsible for product design, quality, metallurgy and facility engineering. Ancich received a BS degree in Metallurgical Engineering for Purdue University and an MBA from the Illinois Institute of Technology. DeHoff and Ancich will be speaking about forging design, metallurgy, and benefits of forgings.





Look to Chicago Rawhide for all your sealing and bearing needs. CR is the leading manufacture of sealing systems for the automotive, truck, agricultural, and aircraft industries.

- **Scotseal wheel seals and hubcaps**
- **SKF Bearings**

SAE Member Benefits

Car rental discounts are available for SAE members from Avis, Hertz, Alamo, and National Car Rental. Discounts range for 5% - 25% depending on what days the rental occurs and country where the car is rented. Rentals can be arranged in advanced by calling the usual reservation phone numbers of each company. Rate codes to request your SAE discount are :

Alamo : ID# 204126, rate code BY
Avis: AWD# B242900
Hertz: CDP# 205321
National: 5250057

A new benefit this year from SAE is the "See America Hotel" program which offers a 50% discount at over 2000 participating hotels, including Best Western, Days Inn, Holiday Inn, and Sheraton locations. SAE members pay only a \$20.00 per year fee to enjoy the 50% savings. To learn more about this program, call the U.S. Benefits Corporation at 972-308-0210 or e-mail to info@usbenefits.net.

Home Financing Program

The program is now offered by Wells Fargo Home Mortgage. The program covers the details so you don't have to, with low cost, fast, and hassle-free home financing. Wells Fargo Home Mortgage works hard to cover the needs of SAE members. Some of the advantages include:

- Quick and easy loan application process – **right over the phone**
- Reduced paperwork and fast loan decision – **in just minutes**
- Solutions to meet every need – a wide variety of mortgage products, ranging from conventional and jumbo loans to new construction financing
- **\$1,000 First Close Guarantee** – if you don't close on the date stated in your purchase contract due solely to Wells Fargo Home Mortgage's delay, Wells Fargo will pay you \$1,000
- **No Money Down Plus** – An alternative if you prefer to keep your assets in higher-return investments, or have limited savings. This new program allows SAE members with good credit histories to finance 100% of their property value, plus up to 3% of closing costs, for a total maximum loan-to-value of 103%

Home Loan con't on page 5



**ENGINEERED
PRODUCTS GROUP
STONERIDGE, INC**

Supplying electrical and electro-mechanical components to OEM & aftermarket suppliers in automotive, truck, agricultural, and construction equipment.

**85 West Algonquin Road
Suite 300
Arlington Heights, IL 60005**



Providing power for all your battery needs :

- **Automotive**
- **Commercial trucks**
- **Specialty vehicles**
- **Marine and RV**

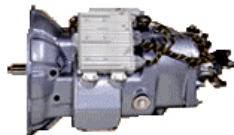


....technology you can depend on.



Fuller clutches

and transmissions.



Eaton Corporation, a global manufacturer of engineered products that serve industrial, automotive, and commercial trucking markets.

Professional Development

New Seminars to be offered

Vehicle Dynamics for Passenger Cars and Light Trucks

This seminar presents an introduction to vehicle dynamics for cars and light trucks. A systems approach is used in this seminar as interactions among powertrain, brakes, steering, suspension, and wheel/tires are reviewed both theoretically and with practical applications. Equations of motions are developed and solved for both steady-state and transient conditions. Manual and computer techniques for analysis and evaluation are presented. Vehicle performance during accelerations, braking, and directional maneuvers will be analyzed. Physical experiments to measure dynamic vehicle performance are introduced.

This course is intended for automotive engineers and quality professionals working in areas of product design, testing, and quality assurance. This course lasts three days and is scheduled for March 5 - 7th during the SAE 2001 World Congress.

Fundamentals for Thermal-Fluid Systems

This seminar's purpose is to provide a fundamental background for the analysis and design of energy systems. Reviewed are thermodynamics, fluid mechanics, and heat transfer. Fundamentals of each of these areas are then applied to the analysis of piping systems, pumps, fans, heat exchangers, and air conditioning systems. Many examples of energy systems are presented.

This is a three day seminar intended for engineers working in the following areas : heating and cooling systems, fluid systems, climate control, heat protection, engine cooling, and cooling of electronic components. This course also takes place on March 5-7th during the SAE 2001 World Conference.

Strategic Thinking
 Technical Review Proposals
 Supplier Communication Programs
 New Product Introductions
 Automotive Market Analysis

Bright Ideas That Work

Marketing Impact, Inc.
 Marketing Communications
 310 W. Cook Rd.
 Fort Wayne, IN 46825
 219-489-3100 ext.230
 auto@marketingimpact.com
 www.marketingimpact.com

Home Loan con't

- Get great benefits with home equity loan and lines of credit
- Use your equity any way you want – home improvements, a new car, education, and more

Call 1-800-442-4778 for more information or visit Wells Fargo's website at www.wellsfargo.com/mortgage/; or stop by your local Wells Fargo Home Mortgage branch. Mortgage counselors are available Monday through Friday, 8 a.m. to midnight (ET), and Saturday 9 a.m. to 5:30 p.m. (ET). Home Equity counselors are available Monday through Friday 8 a.m. to 10 p.m. (ET), and Saturday 10 a.m. to 5 p.m. (ET). Hearing impaired individuals may call 1-800-842-3548 TTY.

For all the latest scoop on what's happening in the Fort Wayne section, check out the section web site :

www.saesections.org/fortwayne/

It's just around the corner...

SAE 2001
WORLD CONGRESS

March 5-8, 2001 • Cobo Center • Detroit, Michigan, U.S.A.

Company Representatives

Please make meeting reservations and dinner payments with your company representative :

Rich Taylor	Dana Corp., Churubusco
Ron Heyman	Eaton Clutch, Auburn
Steve Burman	Dana Corp., Spicer Axle
Dan Grohnke	Navistar Tech. & Egr. Center
Steve Houser	KUS Product Engineering
Doug Motts	Philips Technology
Krista Thomas	Busak + Shamban
John Shung	IPFW
Ramiro Bravo	Tri-State University
Amir Rezaei	Indiana Institute of Technology
Ken Knipstein	Retirees/others

219-426-8081 x206

2000-2001 Program Schedule

January 10,2001	Portland Forge
February 21	SAE President Visit
March	TBD
April	TBD
May	TBD

Mailing List Updates

If your address changes, or you wish to be added to the Fort Wayne Section's mailing list, or you know a new member who wishes to be added to the mailing list, contact John Hess at 219-423-4042 (john.hess@dana.com).



SAE
Fort Wayne Section
c/o John Hess
Dana Corporation
P.O. Box 1209
Fort Wayne, IN 46801